

MRT *EASY*

ROTARY TELESCOPICS



The 3-in-1 machine Crane //



CONTENTS // **10 GOOD REASONS FOR CHOOSING AN MRT Easy**

**"I choose
versatility
and simplicity"**

1	Telehandler performance : p 4	6	Power and precision : p 14
2	Crane capability : p 6	7	Total safety : p 16
3	Access solutions : p 8	8	Simplified maintenance : p 18
4	Simplified control : p 10	9	MANITOU services : p 19
5	High performance stabilization : p 12	10	Choice of 3 models : p 20

Telehandler // Access



MRT 1440



MRT 1640



MRT 1840



MRT *EASY* Three 360° models from 14 to 18 m.
discover more on the technical pages

Telehandler performance

Improved productivity thanks to rotation of the turret

The **MRT Easy** offers you all the advantages of a **high-lift telehandler**: off-road efficiency, ease of handling and versatility. **All-round rotation** allows you to work whilst **stationary**, with total freedom of movement. You handle more in less time than with a conventional telehandler. With the **MRT Easy**, you **save time and increase productivity**.

A wide range of accessories

The **MRT Easy** can be easily and quickly equipped with **numerous accessories**: forks, side shift carriages, skips etc. You have access to a wide variety of applications for **maximum efficiency**: distribution of materials around building sites, construction and renovation work, supply of materials and handling on terrain that's difficult to access (confined sites, urban redevelopments, tunnels etc.).



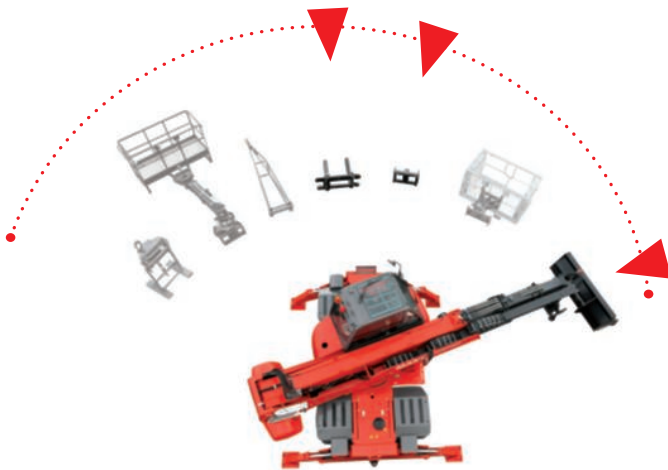
“The **rotation** facility increases my telehandler’s **functions** tenfold”





Attachment Recognition System

MRT Easy is equipped with a recognition system that detects and analyses the attachment and provides the correct load charts. Technology gives simplicity.



Accessories

- **TILTING FORK CARRIAGE:** equipped with forks that meet the FEM classification (ISO2328), it suits all palletised load handling tasks. Options: load backrest, fork extension, side shift carriage etc.
- **FLOATING FORK CARRIAGE:** designed for working on uneven ground, its integrated backrest guarantees the stability of the load.
- **SKIPS:** ideal for bulk handling (sand, gravel, rubble etc.), various versions are available to suit your applications.
- **OTHER ACCESSORIES:** Lattice Jibs, side shift carriages, concrete skips, etc. Option: for improved ease when changing accessories, you can also use a hydraulic locking system.
- **WE CAN ALSO MEET ANY SPECIAL REQUIREMENTS.**

// Telehandler



reason 2

Crane Capability

“I can work on an increasing number of applications”





Lifting of heavy loads

Give your work an extra dimension: **MRT Easy** is a true **off-road crane**. With its **high-capacity lifting capabilities**, the MRT Easy allows you to handle heavy or bulky loads through 360°. You can work just as well **on tyres or stabilizers**, in total safety.

A wide range of accessories

The **MRT Easy** can be easily and quickly equipped with **essential lifting accessories**: winch, jib. The **MRT Easy** quickly becomes the control tower for your jobs. It allows you to optimize the organization of **material distribution** and all **your building tasks** (mounting of timber frames, assembly of pre-fabricated products etc.).

Accessories

- **JIBS**: with hooks, short or swivelling, you are sure to find the jib to meet your requirements for lifting, positioning or placing loads.
- **WINCH**: provides additional flexibility in crane mode, the single winch is positioned on a support for transporting and storing it on your sites.
- **JIB WITH WINCH**: combines all the advantages of the winch and the boom. It will allow you to position your loads in locations in which access is difficult.

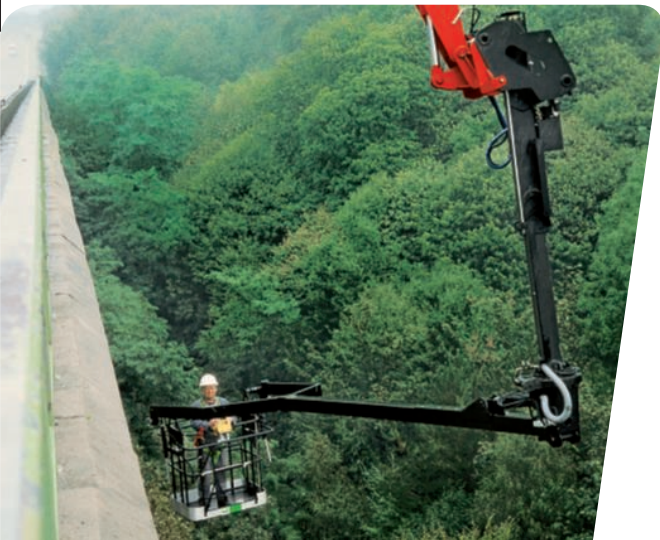


// Crane

Access Solutions

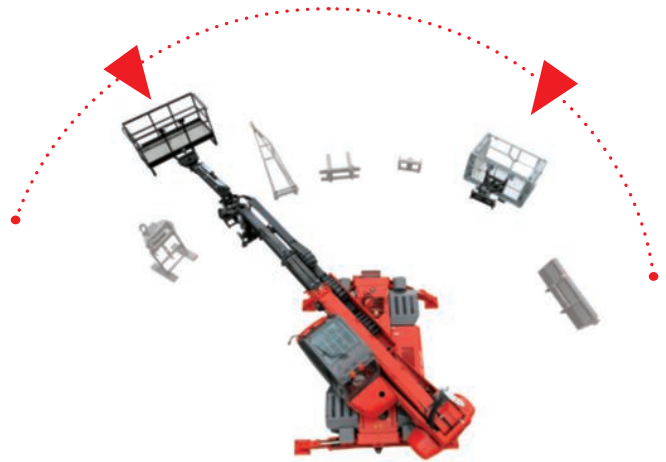
Up to 27 m in total safety

The **MRT Easy** offers you a **true off-road** access solution enabling you to work at heights of **up to 27 m** in total safety. Manitou has put all its experience in the lifting of personnel into the design and manufacture of its MRT Easy range: **flexibility and agility of the telescopic boom**, safety first under the most testing conditions...



The choice of a platform to suit your requirements

The **MRT Easy** is **easily equipped** with platforms or pendular type platforms arms, allowing working heights of **up to 20 m** (4-metre, 1000 kg platform) or **27 m** (Aerial Jib 2 pendular platform). You can multiply the applications in **total confidence**: lifting of personnel for building and renovation work, industrial maintenance, bridge maintenance (3D negative pendular access platform) and infrastructure tasks.



Accessories

- **STANDARD PLATFORM:** available in 365 kg or 1000 kg versions. Swivelling and extendable.
- **ROOFER'S PLATFORM:** patented by Manitou, allows you to work on roofs in total safety thanks to its opening front doors.
- **«AERIAL JIB» PLATFORM:** with an extra telescopic rotating arm, it allows you to reach working heights of up to 27 m, or to work below wheel level (for working under bridges for example).
- **SPECIAL PLATFORM:** 3D platform or raised platform for working inside buildings.



**"I work
with ease
up to 27 m"**

ACCESS PLATFORMS



Simplified control



Spacious and Comfortable Cab

The design of the cab affords **full vision** and **360 degree total visibility**.

The cab is **spacious and comfortable** with a wide door access and adjustable suspension seat, the dashboard is clear and concise. The ergonomically designed controls simplify the handling duties and use of the machine.

Effortless control with the MRT Easy. You manipulate the load with precision thanks to the two **electro-proportional joysticks mounted on each armrest**. Whatever the position of your seat the joysticks are close to hand.

Storage of maximum movement speeds

According to the working situation and the type of work, you are **able to store the maximum movement speeds** of all activating parts of the boom.

You store up to **four sets of parameters** : this allows you to maintain the safety of your movements.



// Control

**"I also control
my MRT Easy
by **radio-control**"**

MRT

EASY's +

**Radio-control
// One man job**

Manoeuvre the MRT Easy by remote control, just as easily as if you were inside the cab. The radio-control option allows you to use all the hydraulic functions of the boom and turret whilst still remaining remote from the cab.

The radio-control's two proportional joysticks have the same functions as those in the control position. You retain the efficiency of simultaneous movements with maximum ergonomics.

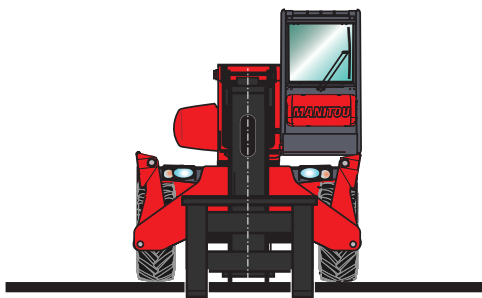
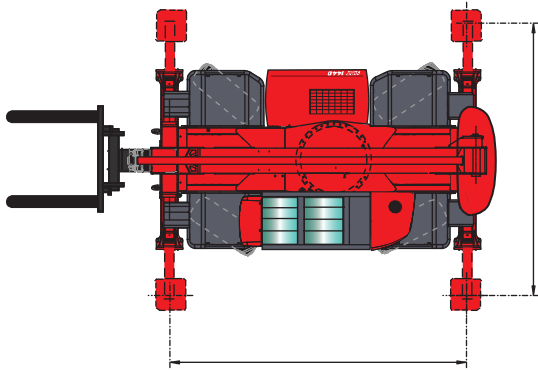


High performance stabilization

New generation stabilizers

The MRT Easy has MANITOU-designed stabilizers guaranteeing perfect stabilization, irrespective of the terrain. With their ample bearing surface (4 x 4 m), they adapt to all terrains to provide maximum stability.

Stabilization is controlled by measuring the pressure exerted by the pads on the ground. The machine is thus levelled in total safety, even on steep slopes.



Quick to position

The stabilizers are quick and easy to position. At a single touch, you can deploy them simultaneously or individually.

Automatic levelling (option)

Once the pads are touching the ground, with a single button, you can automatically level the machine in the horizontal position. You save time, irrespective of the terrain.

Compact stabilizers

When the stabilizers are retracted in the travel position, they remain within the machine's working envelope. On site however, you can move around without fully retracting the pads.



"I position myself easily whatever the terrain"

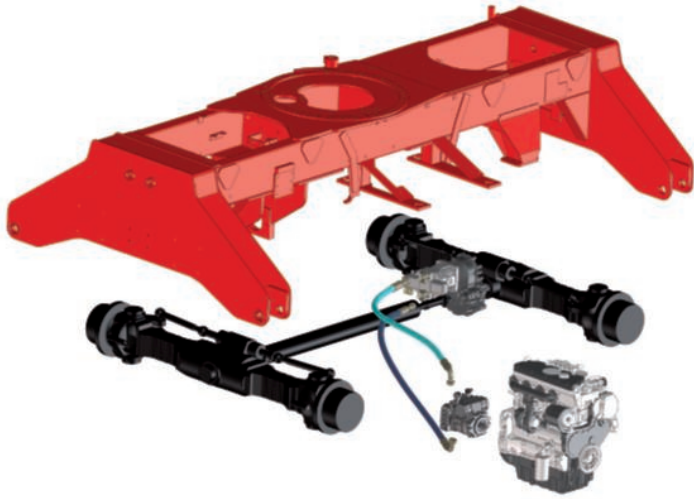


Stabilizers

Power and precision

“I have perfect control over my **load** whatever the **terrain**”





Transmission and traction

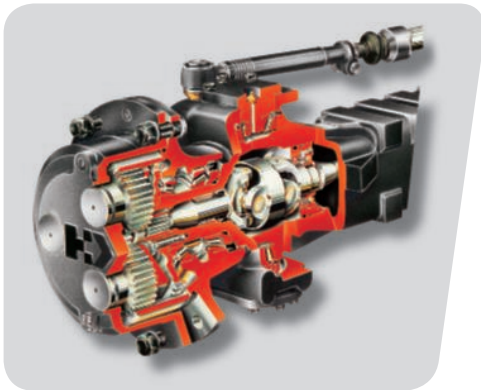
Adapt your speed and overcome all obstacles. **The 4-wheel drive** and **oscillating rear axle** guarantee **optimum adhesion**, even over rough ground. The **hydrostatic transmission** coupled to a dual ratio gear box allows you to adapt the speed and tractive force to all types of terrain. With a single movement, you **select « site »** or **« travel » mode**. You feel at ease, even on the **steepest** of slopes.

Smooth hydrostatic transmission

For smooth handling. The MRT Easy has a variable flow hydrostatic pump, automatically adjusted to the variable displacement hydraulic motor. That gives you an optimum balance between speed of movement and ground clearance.

Proven ruggedness

Benefit from a comprehensively proven transmission. **The MRT Easy** has **steering axles** that are specially designed for off-road applications, providing **excellent motive power** and **unparalleled tractive force**. The steering cylinders positioned on the top are naturally protected from shock. Moreover, the steering axles are equipped with **epicyclic gears**, thus multiplying the torque on the wheels whilst reducing the internal stresses.



// Power and precision

High loading capacity

360° Load Chart!
The MRT Easy lifts **the same load, irrespective of the position of the turret**, allowing your work to progress more rapidly.

Reliable, safe braking

Whatever the load you can brake with precision. **The MRT Easy** is equipped with self-adjusting **oil-bath multi-disc brakes**, located inside the drive unit. The maximum braking capacity is always **spread between all 4 brakes**. **A negative action hydraulic parking brake** also stops the machine under **all circumstances**. The entire braking system requires minimal maintenance. It is perfectly protected inside the drive units.



Total safety



European standards

Worry-free work! **The MRT Easy** provides **maximum safety**, simultaneously complying with **European standards** for telehandler, mobile crane and elevating personnel access applications.



Load state monitoring system

Eliminate all risk of overloading!

The MRT Easy is equipped with a **Load State Monitoring System** (CEC system), similar in every respect to that used on mobile cranes. It continually analyzes the **position and state** of the load and the machine's **working configuration**, and compares all the data with loading **diagrams** contained in its **memory**. When it reaches its capacity limit, it **automatically cuts the aggravating movements**. The system eliminates the risk of overloading the machine. It ensures the safety of the driver and other site personnel.

Display your machine's operating parameters at any time!

The MRT Easy keeps you permanently informed of **the state of the machine**: identification of the machine's operating modes (stabilized, frontal on tyre, rotation etc.), identification of equipment, **alphanumeric LCD** working data display and hydraulic movement speed selection.

Auto-diagnosis

The MRT Easy's load state monitoring system has its own special **auto-diagnosis** programme. It allows you to **check** on the screen the state of all the **components** connected to the load monitoring system. In the event of an erroneous reading, this device switches to **safe state** and prevents all movements in order to facilitate the diagnosis. The suspect sensor is displayed on the screen in order to minimize the machine's immobilization time.

Restrictive working zone

To ensure the safety of your repeated handling movements in congested sites, you can limit the working zone, **there by increasing safety**.



**"I don't take
any chances"**



|| Security

Simplified maintenance

Simplified access to the principal components

Maintain your MRT Easy with ease! The engine is mounted transverse to the chassis, allowing easy access from **3 sides**. The chassis' rear cover affords **easy access** to the air filter and battery. **Your machine's performance and service life** depend on the correct maintenance of your MRT Easy.

Optimized boom design

The use of high-strength alloy steel makes the boom both **light and solid**. Irrespective of whether they are hydraulically or chain-operated, the MRT Easy's **telescopic booms** are designed to **facilitate and minimize maintenance**.

Water and dust-tight electrical harness

Work in all weathers! Your MRT Easy's electrical installation guarantees you **the best possible protection** against the ingress of water and dust (**IP67 protection index**). All electrical components (PCBs, fuse and relay boxes, connections etc.) are protected to ensure that your equipment remains totally **reliable and lasts longer**.

Genuine spare parts to increase your efficiency

Preserve your MRT Easy's performance level! Worldwide, MANITOU guarantees the quality of its accessories and spare parts and their compliance with the original specifications, for use in total safety. A MANITOU product that is well maintained lasts longer and retains a good residual value.

Beware of imitations. Such parts of lesser quality have to be replaced more frequently and, at the end of the day, cost you more!

// Maintenance





Tailor-made finance to make the best use of your funds

You can plan the purchase of your forklift with peace of mind by using MANITOU* financing opportunities.

You will have simple solutions adapted to your needs and seasonal requirements. If you want to make a rapid investment, consider asking us for a personalised proposal to take your situation into account.

* MANITOU Finance solutions are available in certain countries.

MANITOU maintenance contract

2 levels of maintenance adapted to your needs. You are sure of:

- equipment always in good working condition
- a reduction of repair costs as a result of regular servicing
- authentic standardised services

- Labour
- Attendance costs



- Labour
- Attendance costs
- Parts and lubricants



MANIPLUS extension of guarantee

With MANIPLUS you can take out an extension of guarantee of 12 or 24 months.

EASY MANAGER

A simple and flexible system for fleet management (with or without geolocation) to provide optimum service from your machines. EASY MANAGER gives you:

- real-time materials management
- simple and easy way of managing your machinery activity and maintenance.
- maximise your asset and safeguard your equipment



MANITOU spare parts

Utilising genuine Manitou spare parts is sure to prolong the best performance capability of your machine. Your Manitou dealer has access to a stock of 70,000 part numbers, available in 24 hours in Europe (48 hours outside Europe).



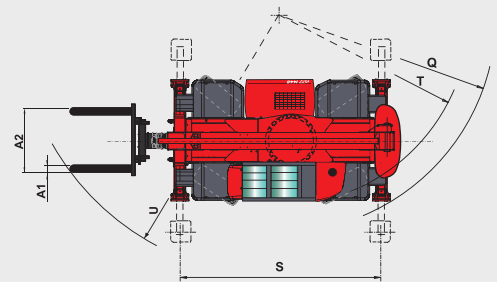
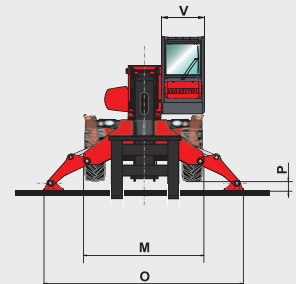
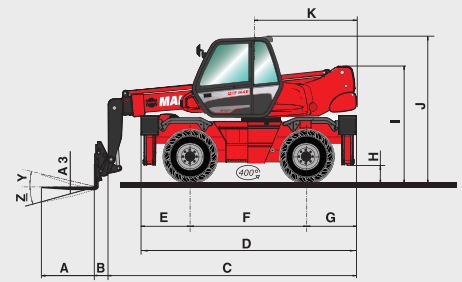
Choice of 3 models

“I choose the **model**
best-suited
to my jobs”



MRT EASY

	MRT 1440	MRT 1640	MRT 1840
Lifting capacity (on stabilizers) at 500 mm from forks heels	4000 kg		
Lifting height	13.80 m	15.80 m	17.90 m
Tyres	400/70 - 20 14 PR		
Forks (mm) Length x width x thickness	1200 x 125 x 50		
Braking	multiple-disc brakes hydraulically assisted on front axles		
Service brake	multiple-disc brakes hydraulically assisted on front axles		
Parking brake	negative		
PERKINS STAGE III A engine	1104D-44T		
Capacity	4 cyl. - 4400 cm ³		
Power at 2200 rpm (ISO/TR 14396)	101 HP/74.5 kW		
Max. torque at 1400 rpm (ISO/TR 14396)	392 Nm		
Injection	direct		
Cooling	water		
Transmission	hydrostatic with automatic power regulation (variable displacement pump and motor) with control inching		
Reversing shift	electromagnetic		
Number of gears (forward/reverse)	2/2		
Max. travel speed	32 kph		
Rear axle	automatic rear axle locking system at a rotation		
4 stabilizers	simultaneous or individually controlled		
Rotation through 400° (Optional 360° continuous rotation)	turret mounted on a double slew ring slewing system with negative brake		
Hydraulics	2 pumps gear type 115 l/min - 270 bar		
Control	2 electro proportional control joysticks for all hydraulic movements		
Capacities			
Cooling system	25 l		
Engine oil	8.10 l		
Hydraulic oil	150 l		
Fuel tank	130 l		
Unladen weight (with forks)	12490 kg	13000 kg	13300 kg
Width overall	2.40 m		
Height overall	2.97 m		
Length (forks carriage)	5.35 m	6.36 m	5.54 m
Ground clearance	0.34 m		
Drawbar pull	8600 daN		
Noise and vibration			
Noise at driving position (LpA)	79.7 dB		
Environmental noise (LwA)	104 dB		
Vibration to whole hand/arm	< 2.5 m/s ²		
Safety	standard load moment indicator (mobile crane standards)		



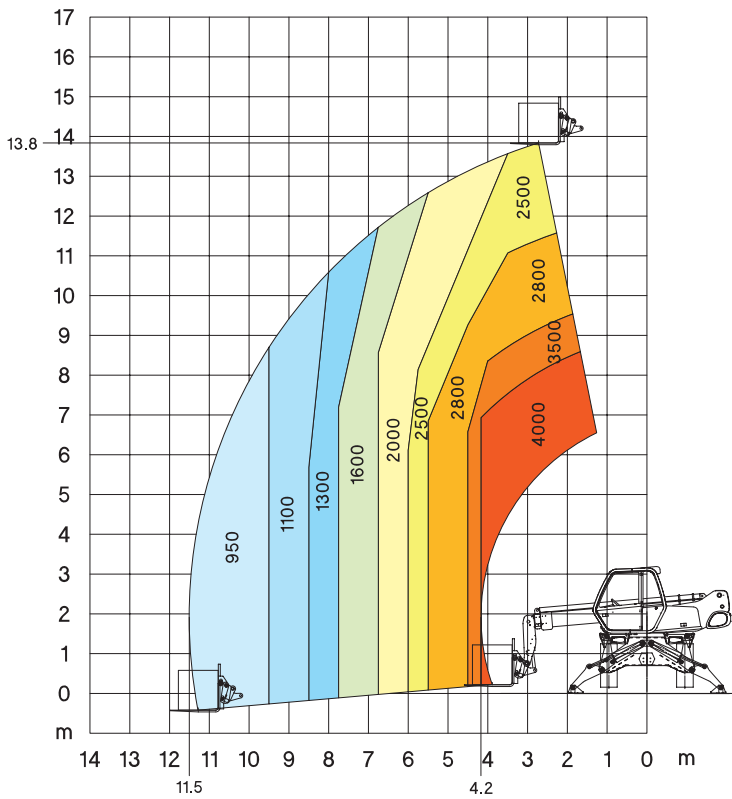
mm	MRT 1440	MRT 1640	MRT 1840
A		1200	
A1		125	
A2		1320	
A3		50	
B		290	
C	5060	6075	5255
D		4350	
E		1015	
F		2320	
G		1015	
H		340	
I		2375	
J		2970	
K	2040		2485
M		2400	
O		3975	
P		160	
Q		3900	
S		4000	
T		3600	
U	5250	5520	5235
V		950	
Y		12°	
Z		105°	

MRT 1440

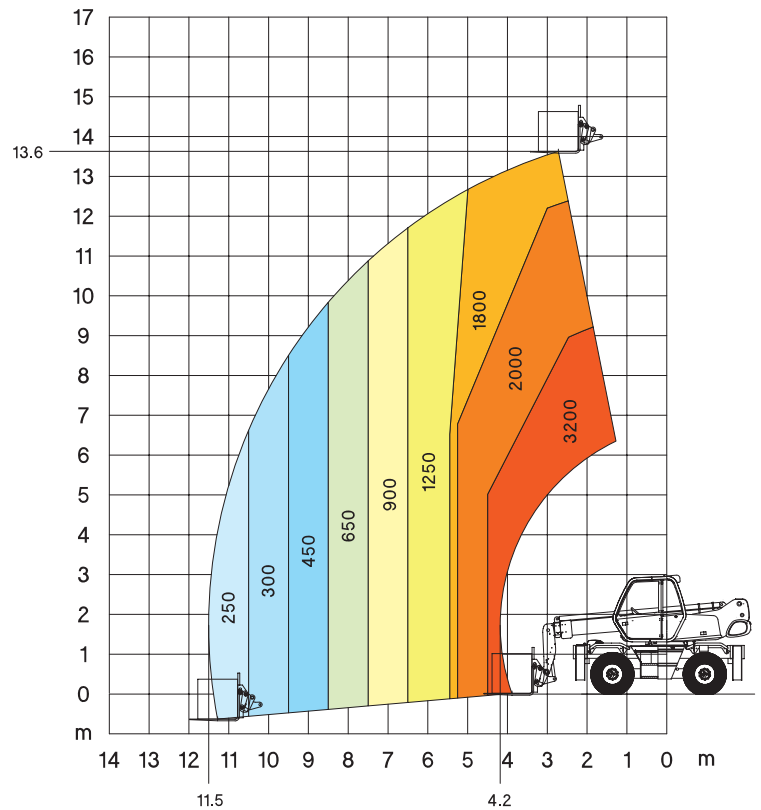
Crane //



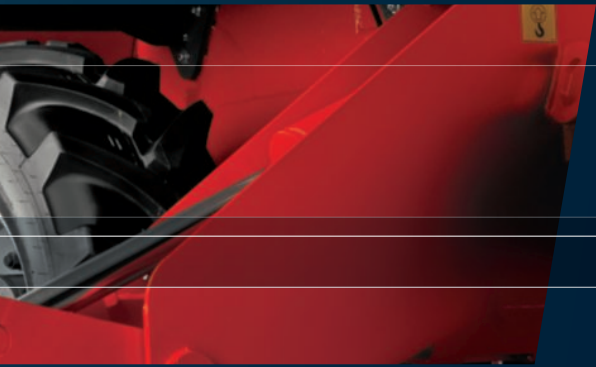
**Rotation on stabilizers
with forks**



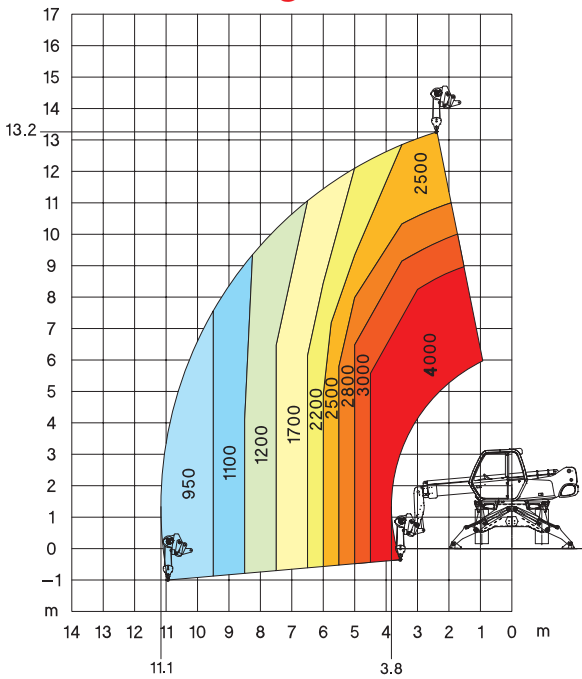
**Frontal on tyre
with forks**



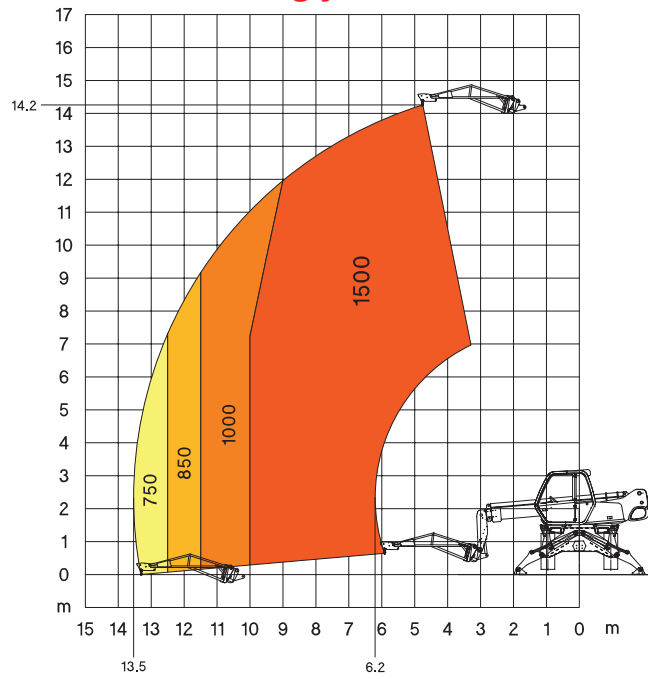
Telehandler // Platform



**Rotation on stabilizers
with 4000 kg winch**

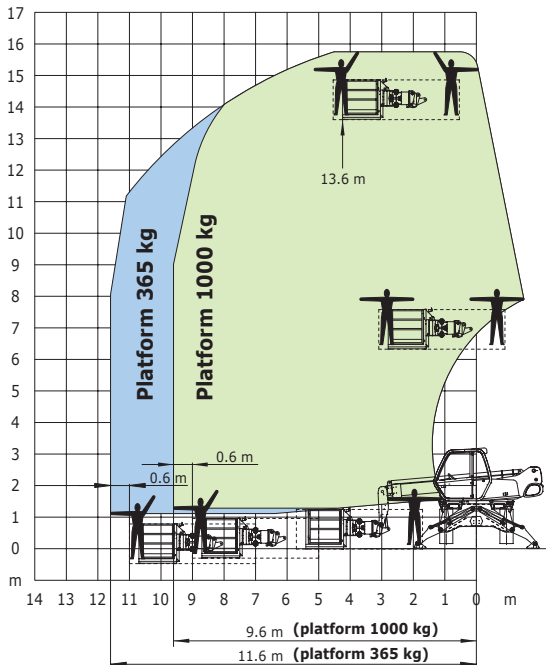


**Rotation on stabilizers
with 1500 kg jib**

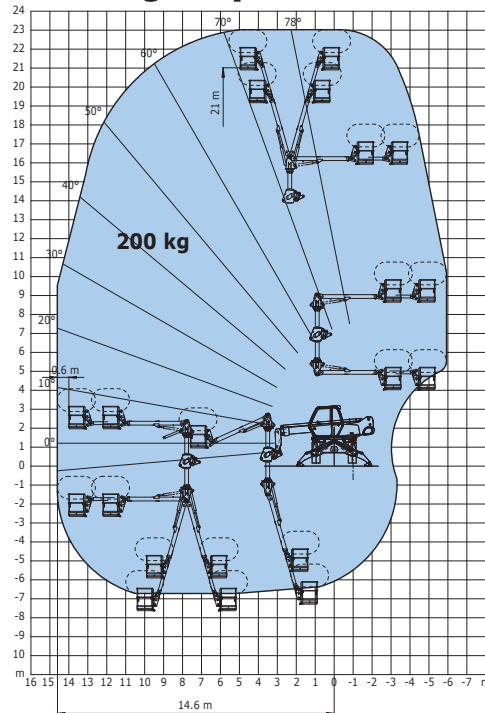


**Rotation on stabilizers
with 365/1000 kg platform
2.25 / 4 m - 3 persons**

Platform 365 kg and 1000 kg



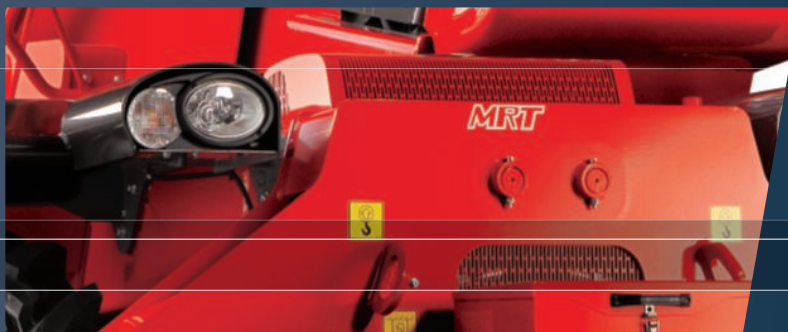
**Rotation on stabilizers
with Aerial platform jib 2
200 kg - 2 persons**



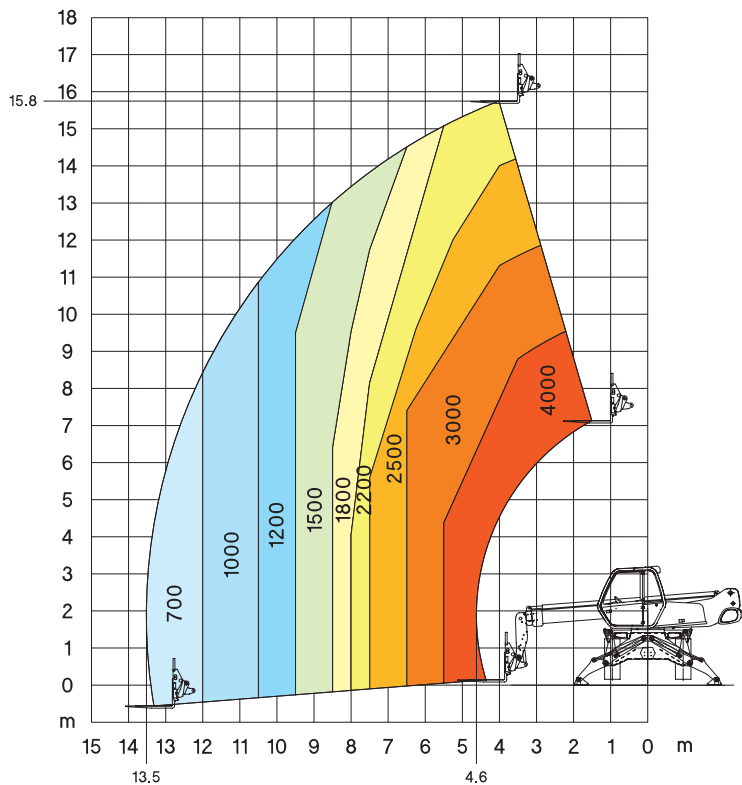
WRT 1440

MRT 1640

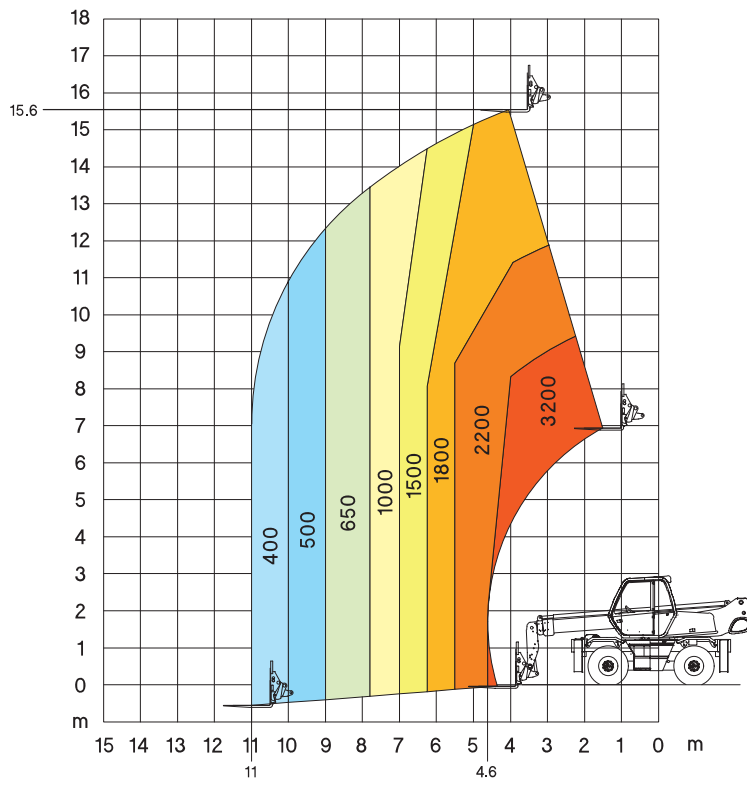
Crane //



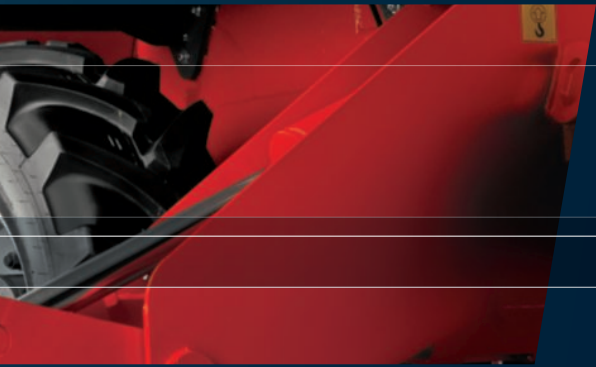
Rotation on stabilizers
with forks



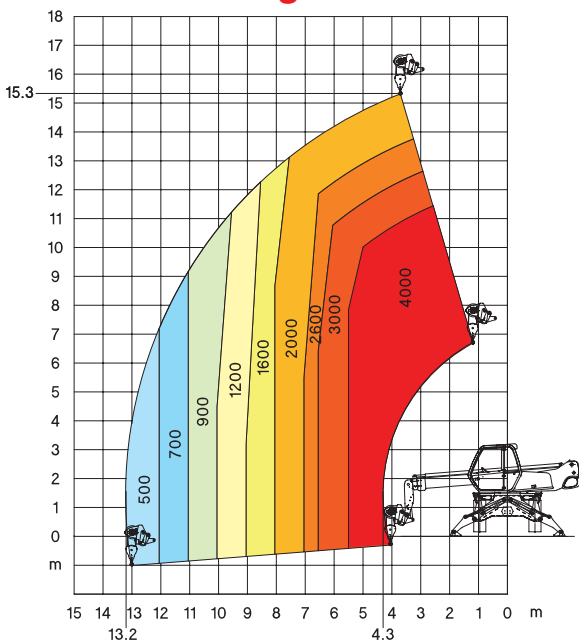
Frontal on tyre
with forks



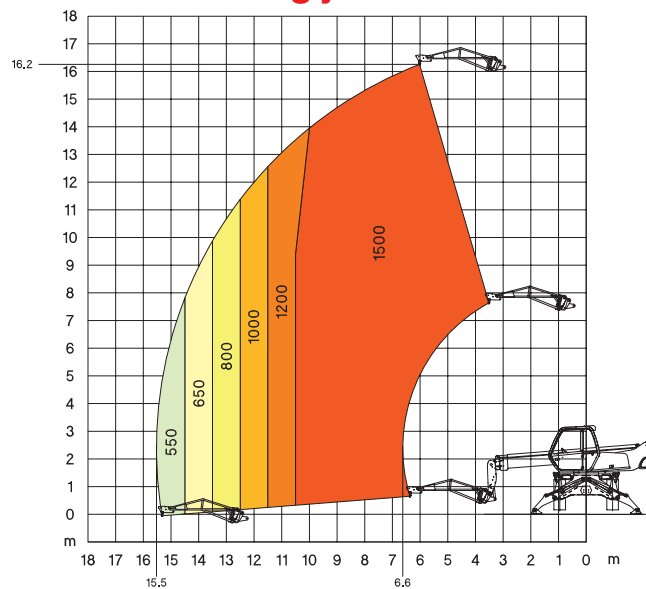
Telehandler // Platform



Rotation on stabilizers
with **4000 kg winch**

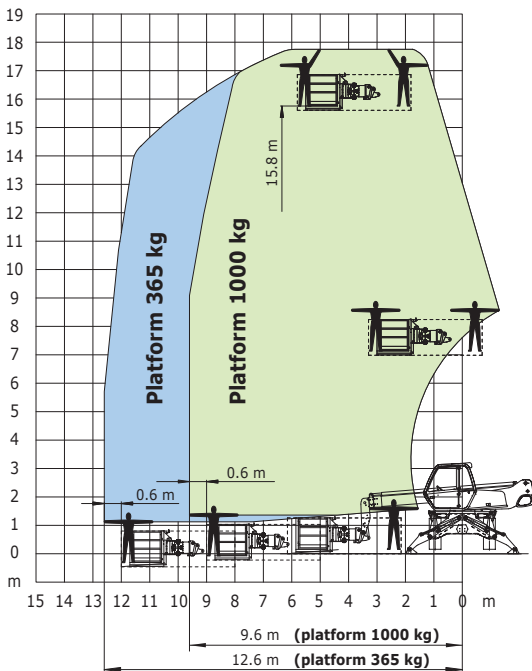


Rotation on stabilizers
with **1500 kg jib**

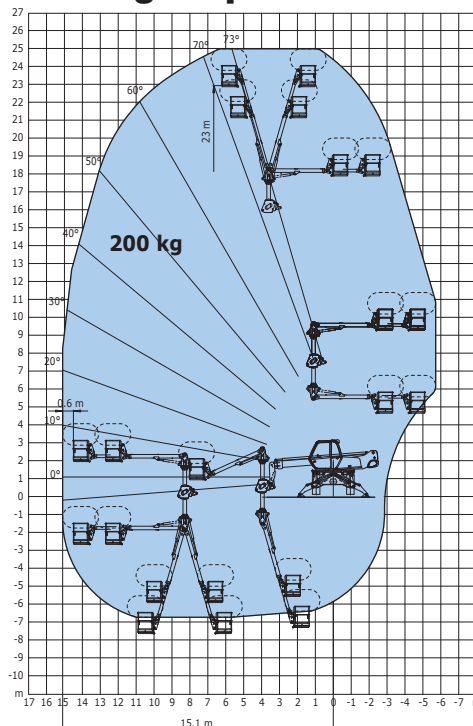


Rotation on stabilizers
with **365/1000 kg platform**
2.25 / 4 m - 3 persons

Platform 365 kg and 1000 kg



Rotation on stabilizers
with **Aerial platform jib 2**
200 kg - 2 persons



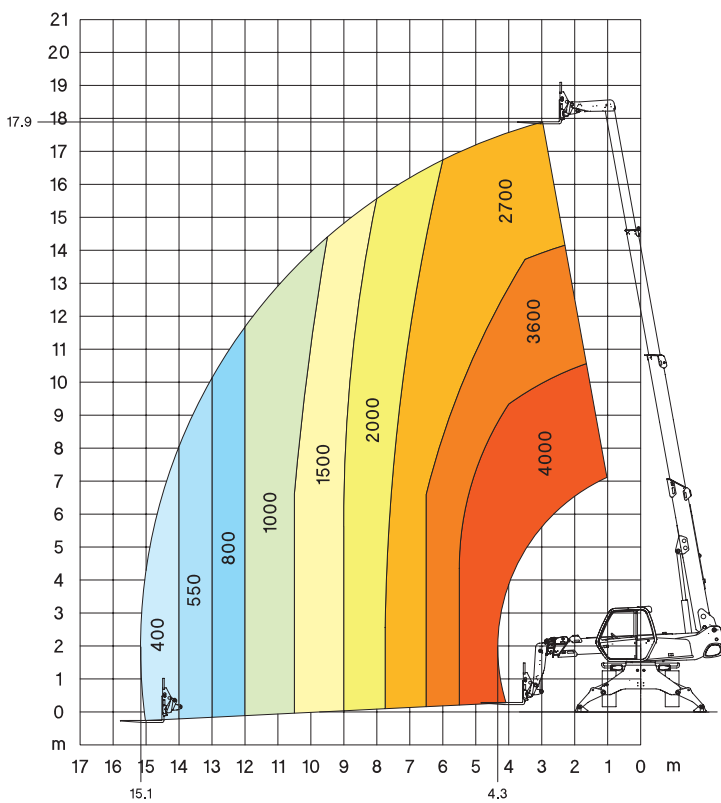
// WRT 1640

MRT 1840

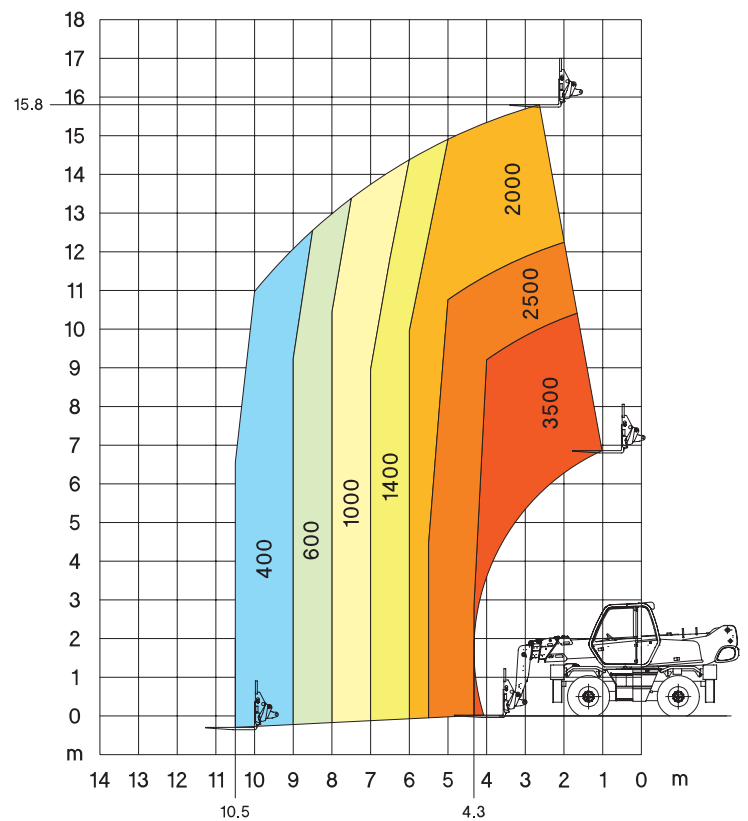
Crane //



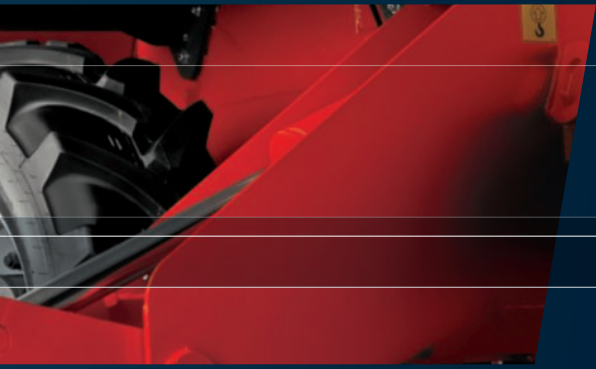
**Rotation on stabilizers
with forks**



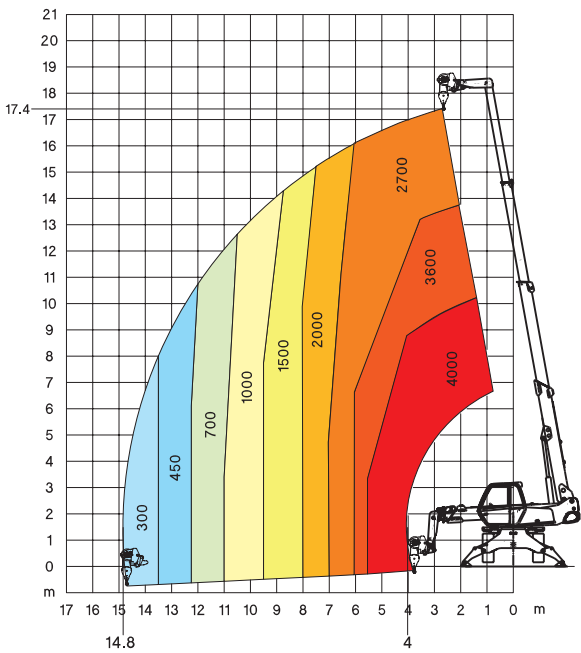
**Frontal on tyre
with forks**



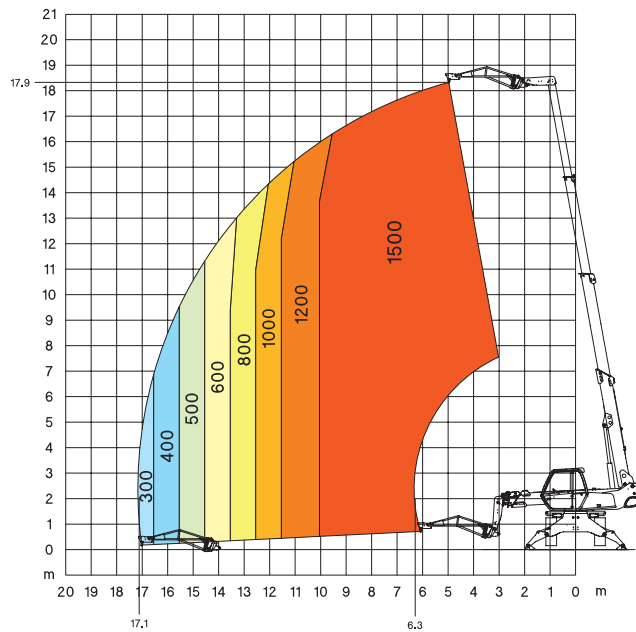
Telehandler // Platform



Rotation on stabilizers
with **4000 kg winch**

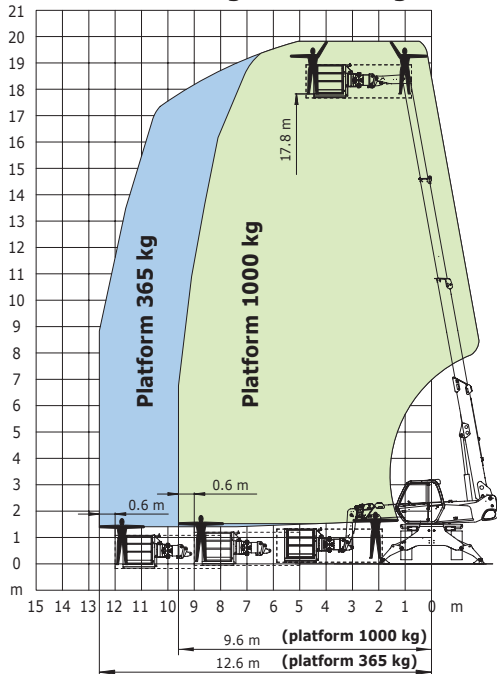


Rotation on stabilizers
with **1500 kg jib**

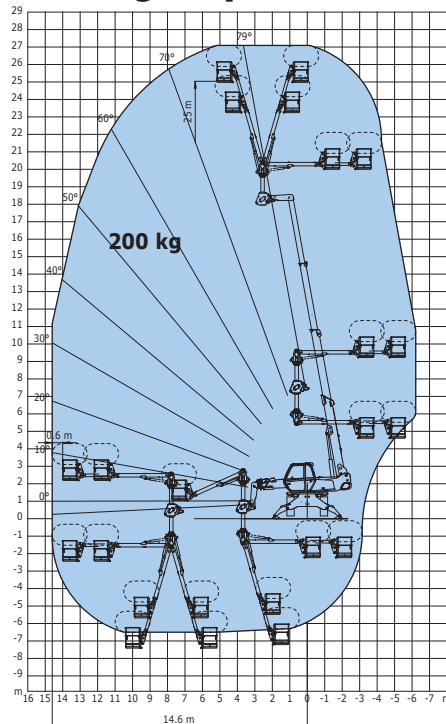


Rotation on stabilizers
with **365/1000 kg platform**
2.25 / 4 m - 3 persons

Platform 365 kg and 1000 kg



Rotation on stabilizers
with **Aerial platform jib 2**
200 kg - 2 persons



WRT 1840

Your nearest **MANITOU** dealer:



Head office:

B.P. 249 - 430 rue de l'Aubinière - 44158 Ancenis Cedex - France

Tel: 00 33 (0)2 40 09 10 11 - Fax: 00 33 (0)2 40 09 10 97

www.manitou.com

CE This brochure describes versions and configuration options for Manitou products which may be fitted with different equipment. The equipment described in this brochure may be standard, optional or not available depending on version. Manitou reserves the right to change the specifications shown and described at any time and without prior warning. The manufacturer is not liable for the specifications given. For more information, contact your Manitou dealer. Non-contractual document. Product descriptions may differ from actual products. List of specifications is not comprehensive. The logos and visual identity of the company are the property of Manitou and may not be used without authorisation. All rights reserved. The photos and diagrams contained in this brochure are provided for information only.

MANITOU BF SA - Limited company with board of directors - Share capital: 37,567,540 euros - 857 802 508 RCS Nantes