

5509

Telehandlers > 6,0 m



The Kramer telehandler 5509: Faster, higher, further

The Kramer 5509 telehandler is ideal for daily use with low fuel consumption, high torque and enormous lift forces offering up to 9 metres of lift height. With a number of innovative assistance systems and useful supplementary equipment, the Kramer will become the key machine for the toughest applications. The ergonomic and functional cab ensures stress-free working. The different working modes of the Smart Handling overload system offer safety and comfort.

- 5.5 tonne of payload and 9 metres lift height
- Low fuel consumption and high torque (115 kW Deutz, emissions level 3b)
- Variable Ecospeed transmission
- Very spacious panoramic cab provides maximum driver comfort and superb all-round visibility
- Extremely sturdy build quality thanks to the U-frame box section design and lateral guidance of the stabiliser

5509

Telehandlers > 6,0 m

Technical specifications

Operating data

Bucket capacity (standard bucket)	1,6 m ³
Operating weight (without add-on equipment)	10.620 kg

Engine / Motor

Engine / Motor manufacturer	Deutz
Engine performance	115 kW

Power transmission

Travel speed	20 km/h
Differential lock	100% connectable
Standard tires	460/70R24

Steering and operating hydraulics

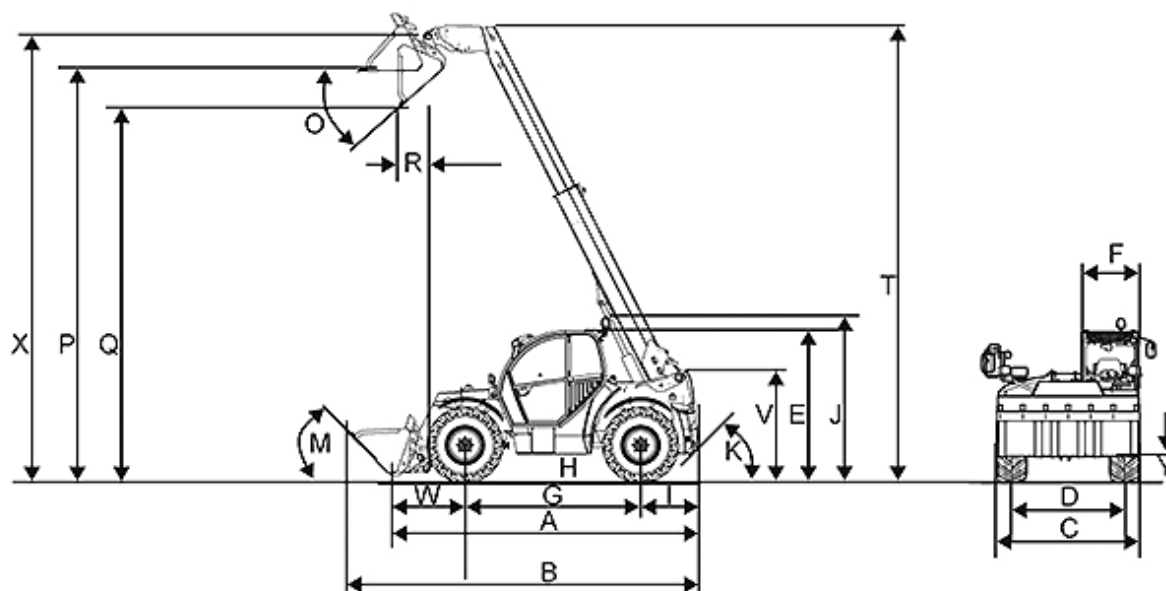
Flow rate (pump)	187 l/min
Pressure (maximum)	260 bar

Kinematics

Payload (LSP = 500 mm)	5.500 kg
Payload (for max. lifting height)	4.990 kg
Payload (for max. range)	2.200 kg

Additional technical data is available in the detailed brochure within the informational material section

Dimensions



A	Length (including tool frame)	5.690 mm
C	Width	2.500 mm
D	Track width	1.995 mm
E	Height	2.460 mm
F	Inside width (w/o wheels) (cab)	990 mm
G	Wheelbase	3.150 mm
H	Ground clearance	418 mm
I	Center of rear axle to end of vehicle	1.140 mm
J	Height (total with rotating beacon)	2.710 mm
K	Rear actuation angle	32 °
M	Tipping angle (standard bucket down)	45 °
O	Tip-out angle (standard bucket up)	41 °
P	Overhead loading height (extended)	8.498 mm

Q	Dumping height (extended)	7.997 mm
R	Dump reach (extended)	63 mm
V	Height (telescopic arm seating on the frame)	1.935 mm
W	Distance (middle of front wheel to quick change plate)	1.310 mm
X	Height (retracted bucket bolt)	6.116 mm
X	Height (extended bucket bolt)	9.083 mm
	Stack height (extended)	8.750 mm
	Turning radius (over tyres)	4.350 mm

Information on suitable accessories can be found on our website.

The right to make changes is reserved in the interests of ongoing further developments. You can find more information on the engine power in the operator's manual. The actual power output figures may vary due to specific operating conditions.

Information on suitable accessories can be found on our website. More detailed information on engine power can be found in the operator's manual; the stated power may vary due to specific operating conditions. Subject to alterations and errors excepted. Applicable also to illustrations. Copyright © 2015 Kramer-Werke GmbH.